

ONWA[®]

MARINE ELECTRONICS



MODEL

KS-200B

AIS Receiver Black Box



MODEL

KS-200B_N

AIS Receiver Black Box

**Can send AIS data via network*



AIS Technology

RS232

Electrical Interface
and Programming

NMEA0183

Interface

➤ AIS TECHNOLOGY

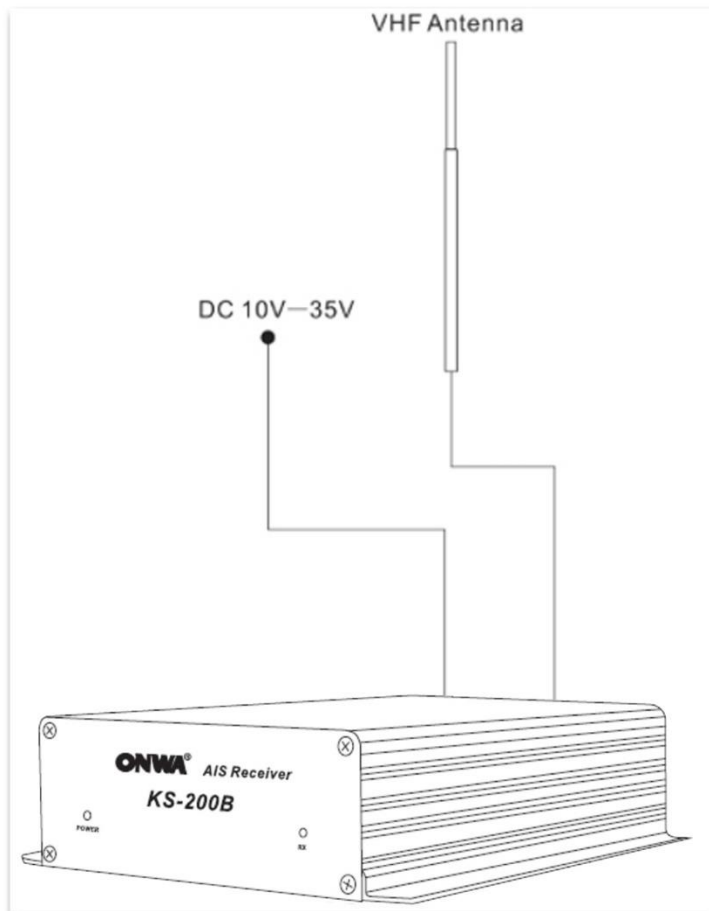
The ONWA AIS receiver receives all AIS data of nearby targets around your boat (*with suitable VHF Antenna*) able to Interpret incoming AIS data for CPA alert or AIS S.A.R.T emergency messages.

For KS-200B_N:

ONWA KS-200B_N is an external AIS Device that may be interface with your Marine Radar or GPS Chart Plotter capable to receive AIS data via RS232 port and Network Data.

KS-200B_N lets you track your vessel even at certain distance using IP address of the black box unit which you can monitor from your computer.

➤ SYSTEM CONFIGURATION



**Suitable VHF Antenna*
• **KA-159**
*(not included in the set,
specify when ordering)*



SPECIFICATIONS

Connectors

VHF Antenna connector PL259 female
Power/data connector 8 pins male

PHYSICAL

Dimension: 207mm (length) x 155.8mm (width) x 50mm (height)
Weight: 0.8kg

POWER

Input: 10~35VDC
Power Consumption: 0,35A nominal, 2A peak

Electrical Interface

RS232 38.4kbaud bi-directional

Environmental

Operating Temperature: IEC 60945 (Cat C)
-25°C to +55°C

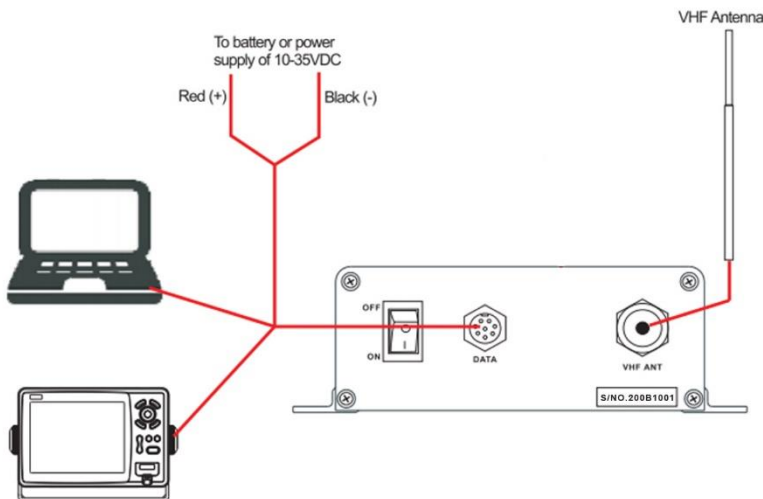
NMEA Sentence Supported

VDM, VDO

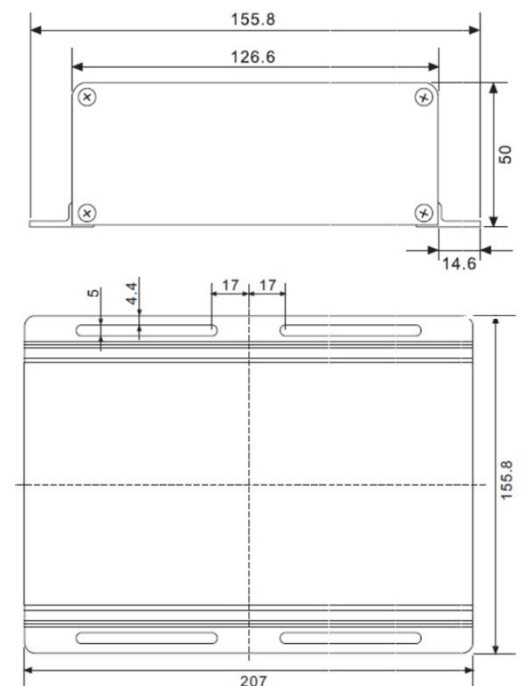
AIS CHARACTERISTICS

Frequency Rate:	156.025 MHz~162.025 MHz	AIS Channel 1:	CH 87B (161.975 MHz)
Access Scheme:	SOTDMA	AIS Channel 2:	CH 88B (162.025 MHz)
Channel Bandwidth:	25 KHz	RX Sensitivity:	< -123dBm @ 20% PER
Modulation:	GMSK	RX Message Format:	AIS Class A and B messages
Data Rate:	9,600 bps	Comply Standard:	IEC-62287 IEC 62287-2 Ed. 2.0:2017
Number of AIS Receiver:	2		

INTERCONNECTION DIAGRAM



DIMENSION



KS-200B CONNECTION DIAGRAM

